



Answer Manitou 2 E9 Fork Rebuild Instructions

Tools:

- 3mm,4mm,5mm hex bit
- Thin standard screw driver
- ¼ drive socket and 12" long extension
- ¼ drive ratchet

Dissassembly

1. Remove outer fork caps.
2. Use long 5mm allen wrench or 5mm hex bit on ¼" drive socket.
3. Loosen the bolt located down in the bottom of the upper tube.
4. Remove adjuster allen screw and knob from the bottom of the lower leg.
5. Remove 2 bolts from the same side of the brake arch. Doing this will allow lower legs to be removed individually.
6. Remove pre load adjuster and elastomers from allen bolt.
7. Pull lower leg assembly down sharply to separate the lower leg from upper leg.
8. Remove the retainer ring (if applicable), dust wiper seal and upper bushing from the lower leg.

Reassembly

1. Clean all parts thoroughly, carburator or brake cleaner works well, just watch for painted surfaces.
2. Lubricate allen bolt, washers, and elastomers, and bushings with supplied lubricant.

Note: Use the lubricant that is supplied with your kit. Do not use any other lubricant.

3. On the long allen bolt, install the metal rebound washer, followed by the rebound elastomer(shortest) on the long allen bolt and drop the allen bolt into inner fork leg, the bolt will protrude from the upper leg.
4. Slide the retaining ring(if applicable),dust wiper seal and large upper bushing up the inner legs and lubricate the upper tube.



Suspension Fork Parts

5. Install lower bushing(small) into the goove on the lower leg and assemble elastomers as shown on the exposed allen bolt, be sure to have an elastomer space between each elastomer (Figure 2).
6. Install spindle adjuster onto allen bolt and snug tight.
7. Notice the taper near the bottom of the upper legs, just above the lower bushing. Slide the lower legs up past the lower bushing and stop.
8. Now the carefully slide the upper bushing into the lower leg and push to seat it in place. A small thin screwdriver may be helpful.
9. Next slide the wiper seal down and carefully push into the retaining groove using a small thin screwdriver. Care must be taken to not damage the dust seal. Ensure that the dust seal is seated in the groove.
10. Push slide the lower leg up until it stops, ensure that the alignment holes on the aduster line up with the guide pins inside the bottow of the lower leg. Rotate the lower leg until the lower leg is fully seated and the adjuster hex is slightly exposed at the bottom of the leg.
11. Lubricate the o-ring on the adjuster knob and install the adjuster knob. Tighten small allen bolt.
12. If applicable, press retianing ring into the groove above the dust wiper seal by starting the wide end into the flange groove. Pushing down with a screwdriver rotate to feed ring into the groove.(Figure 1)

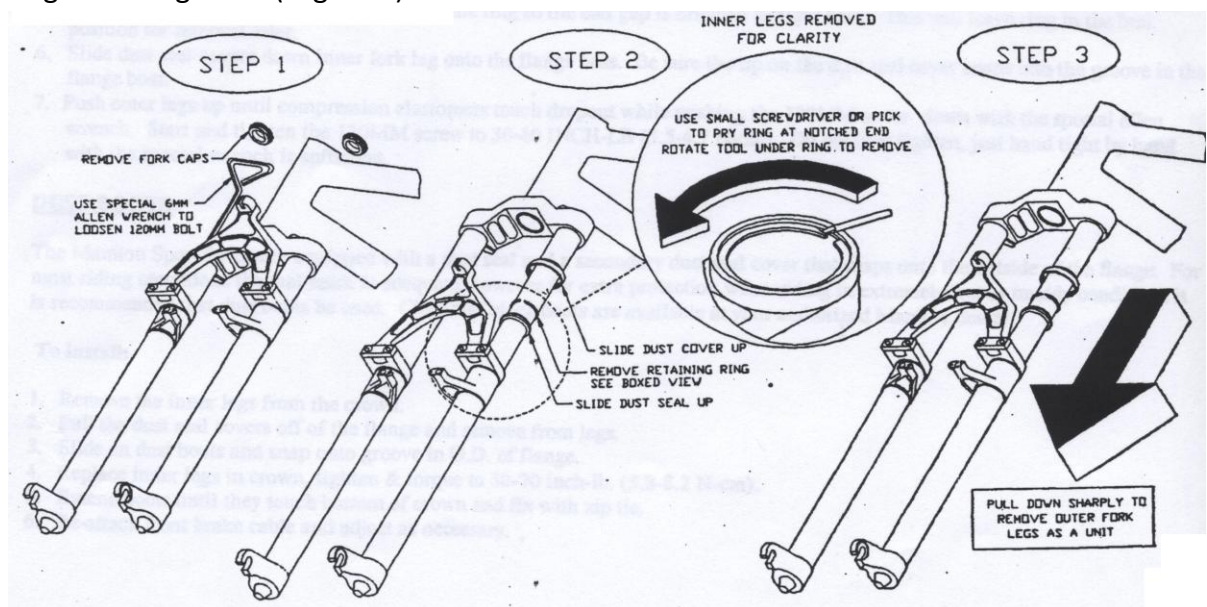


Figure 1



Suspension Fork Parts

MANITOU 2 FORK SCHEMATIC

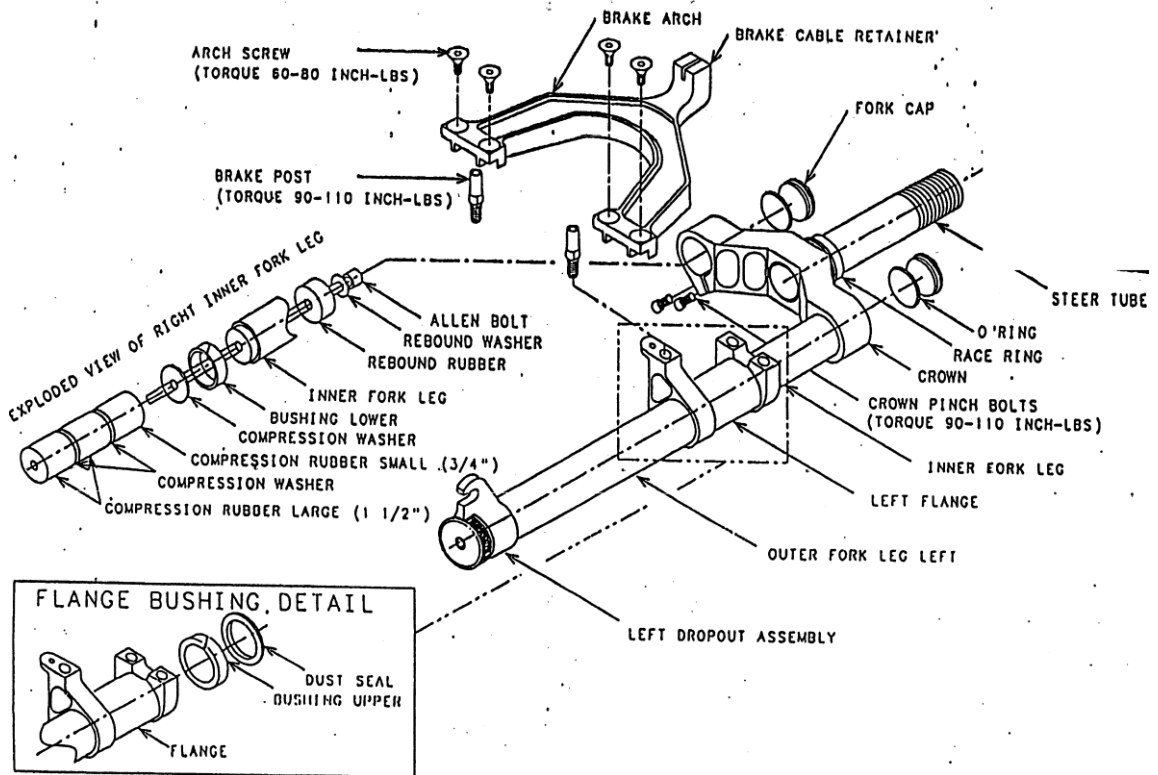


Figure 2